

# ABRAJ

## **Tender Document**

**Tender No.** MITC.230409.OPS.M046

**Tender Title:** RATE AGREEMENT FOR SUPPLY OF CHOKE MANIFOLD & VALVES

**Target Supplier:** International

Contents
----------

1. INVITATION TO TENDER .....	3
2. INSTRUCTIONS TO BIDDERS .....	4
3. ABRAJ STANDARD TERMS & CONDITIONS .....	12
FORM OF TENDER .....	13
Annexure- 01 Scope of Work .....	15
Annexure - 02 Expression of Interest .....	15
Annexure – 03 Interest to Participate in Tender and Confidentiality Declaration for Tender.....	23
Annexure – 04 Declaration to Comply with Company Requirement .....	25
Annexure – 05 Form of Tender Bond.....	26
Annexure – 06 Form of Performance Bond.....	27
Annexure – 07 Form of Advance Payment Bond.....	29
Annexure – 08 In Country Value (ICV) .....	30
Annexure – 09 Clarification Request.....	33
Annexure – 10 Pricing Schedule .....	34
Annexure - 11 Tender Strategy for Evaluation of bid .....	39
Annexure – 12 Standard Terms and Conditions .....	41

**1. INVITATION TO TENDER**

Abraj Energy Services SAOG “the Company” invites ‘Bidder’ to Tender for the Work or Services in accordance with the terms and conditions set down in the Tender Documents. If you are a successful Bidder you shall be required to enter into a Contract in accordance with the Form of Agreement.

**RATE AGREEMENT FOR SUPPLY OF CHOKE MANIFOLD & VALVES**

There should be no indications or markings on envelopes or the parcel, which may reveal the identity of the Bidder except Tender No and Title. The parcel should be delivered on the date and time as specified in the advertised invitation of this Tender and should be addressed to:

**Abraj Energy Services (SAOG)**  
Al-Mawaleh, PO Box 1156, PC 130, Azaiba,  
**Sultanate of Oman**

Abraj Energy Services SAOG is not bound to accept the lowest Tender or award the full Bidder scope of work and reserves the right to reject any or all Tenders without assigning any reason

## 2. INSTRUCTIONS TO BIDDERS

### 2.1 General

Bidders must notify the Company immediately if they find discrepancies omissions or ambiguities in the description of the services or specifications of goods.

Bidders should note the restrictions set out in the Contract regarding the subcontracting and assignment of any part of the Contract to other companies.

Bidders should also note those terms peculiar to the conducting of services in the Sultanate of Oman, including the requirements set out in the Contract for use of Omani supplies, equipment, machinery, consumables, Omani workers and subcontractors, and the importation of materials, equipment and consumables.

By submitting a Tender, the Bidder is deemed to have made the necessary allowances in the Tender Price for adhering to all laws, rules, regulations, Policies, and procedures applicable in the Sultanate of Oman.

Clarification Requests: All questions or communications regarding this Invitation to tender shall be directed by e-mail to [Contract@abrajenergy.com](mailto:Contract@abrajenergy.com) before the clarification closing date.

Any addendums, clarifications or any other correspondence will be issued and sent via e-mail to all Bidder during the tendering period.

The Tender Documents and all Tender submissions are to be made in the English language.

### 2.2 Expression of Interest

The bidder will confirm the Express of Interest (EOI) for the Tender as per Annexure-02 and provide the documents as per following:

To register your interest please complete the forms listed below duly signed by authorized signatory and submitted within three (3) days of reviewing the Invitation to Tender (ITT) to:

[Contract@abrajenergy.com](mailto:Contract@abrajenergy.com)

**1. Annexure-03 Interest to Participate in Tender and Confidentiality Declaration (Form #AES-03) 2. Annexure-04 Declaration to Comply with Company Requirement (Form # AES-04)**

### 2.3 Confidentiality

All recipients of tender documents (whether they submit Tenders or not) shall treat the details of the documents as private and confidential.

During the tender period, the Bidder shall not communicate with anyone related to or deemed to be related to the owner or custodian of the project unless expressly so directed by the Abraj Contract department or where such communication shall constitute an enquiry as set down in these instructions.

## 2.4 Clarification Requests

All Clarification Requests regarding this Tender shall be submitted by Bidder in the format as included in Annexure 09.

The request for the extension of Submission Bid will be provided well within 5 days from receipt of the Tender Document and the extension of Bid will be requested in same form of Annexure-09.

Company reserves the right not to entertain any Clarification Request received by Company after the Clarification Request Closing Date stipulated in the Tender schedule.

Addenda to the Tender Documents may be issued prior to the date of delivery of Tenders for the purpose of amending or clarifying the Tender Documents. Should there be any doubt or obscurity as to the meaning of the Tender Documents, or as a request for a site visit, or as to anything to be done under the Contract or concerning these instructions, or any other matter, the Bidder must set forth in writing such doubt or obscurity and deliver the same to Abraj Tender Committee, not later than ten **(10) working days before the date fixed for the submission of Tenders**. If considered appropriate a reply in the form of a Circular Letter or Addendum will be distributed to all Bidders who have obtained the Tender Documents.

Company will endeavor to revert within 2-3 working days from receipt of Clarification submissions as per Tender Schedule below.

## 2.5 Preparation of Bids

The scope of work has been attached herein in Annexure- 01. The technical Bid should be provide to meet the requirement specified in scope of work.

Any bid exceptions must be attached to the bid. Exceptions to the provisions of the contract will not be accepted by Company for review or negotiation after the bid closing time. Exceptions shall be accompanied by complete information on the nature and extent of the proposed exception and the consequent impacts to the prices, schedule or other aspect of the bid.

Bidders will not be compensated for the cost of preparing a bid, including, without limitation, any travel costs, whether successful or unsuccessful and regardless of whether Company chooses not to award the contract.

Bidders are encouraged to provide any additional information helpful to Company in evaluating their bids.

Bidder shall submit their bid in accordance with Tender documents and provide information as per attached Annexures wherever required.

Bidder shall ensure upon receipt that the copy of the Tender Documents has received in complete and inform if they have not received any of mentioned above to Contract Administration on email address [Contract@abrajenergy.com](mailto:Contract@abrajenergy.com) with five (5) days after received of mail.

All copies shall be properly executed, all blank spaces shall be filled in, and any interlineations, alterations, or erasures shall be formally explained and initialed by the

Bidder. Failure to comply with these requirements may be cause for rejection of the bid.

Bid may not be considered unless they are in conformity with the Tender Documents. You are specifically advised that evaluation of BID shall include the degree of exceptions taken (if any) to the Body of terms and conditions.

Bidder shall confirm acceptance of the proposed terms and conditions together with any exceptions, clearly shown in the Tender documents. Partial or incomplete BID received after the stated due time may be rejected.

Each Bidder shall give the full legal name, registered number, place of incorporation and registered office address of the Bidder. Where the Bidder operates under any trading name this also shall be stated, as shall be any trading or mailing address if different to the registered office address.

BID shall be written in English and labelled with the name of the part inside.

The Bidders should Submit following documents in the Technical Bid submission:-

- a. Maximum technical information of all the services or equipment covering the Scope of work as per attached Annexure-01.
- b. Specification, brand name, manufacturer name, material detailed, etc. maximum information of each component or part of all equipment or assembly of Equipment.
- c. List of Certificates. If possible, sample of certification.
- d. Country of Origin of Raw Material and Assembly of equipment.
- e. Product drawing or assembly drawing with maximum information.
- f. Part Catalogue or Product catalogue.
- g. Manufacturer experience detailed.
- h. List of Customer to whom you are dealing.
- i. Any other information which can be useful for technical evaluation of scope of work as per attached Annexure- 01
- j. Deviation to our requirement will be marked separately and any change in price will be provided in Commercial BID.
- k. For any additional Item or scope of work should be specified with optional price.
- l. Bidder should provide detailed product specification along with catalogue copy in Technical BID.
- m. All items should be supplied as per latest standard of American Petroleum Institute.
- n. This is general standard of the equipment required in Oil and Gas Industries.
- o. Purchaser should have right to select line item in the bid.

- p. The Technical Tender shall not contain any pricing information.

The Bidders should Submit following documents in the Commercial Bid submission:-

- a. Submit your price for the equipment as per attached Price Schedule Annexure -10. The total price need to be carried to the Form of Tender and complete all blanks applicable in the Appendix of Form of Tender.
- b. Price of each equipment or group of equipment as per scope of supply as per attached Annexure –10.
- c. Provide Delivery period. - Abraj expects to get better delivery and the delivery is one of the criteria of commercial evaluation.
- d. Provide clear delivery term.
- e. Packing charges if any required.
- f. Manufacturer of each item of Equipment or assembly of Equipment.
- g. Country of origin of each item of Equipment or assembly of Equipment.
- h. Provide additional information which can be useful for commercial evaluation of scope of supply as per attached Annexure-01.
- i. Commercial Part shall be submitted with prices and rates in US \$/OMR taking into account the Works to be executed with terms and conditions included herein.
- j. Technical and Contractual Part shall be submitted with the format and content specified hereinafter. No prices shall be indicated in the technical and contractual part.

## **2.6 Visit to the Site (If Required)**

The Bidder must visit the Site and obtain, at his own expense, all information necessary for preparing a Tender. He must carefully examine the Tender Documents and satisfying himself as to the tasks, risks, obligations and responsibilities to be undertaken in the Contract, form and nature of the entire areas in which the Works are to be carried out, the means of access to the Site and in general all other matters which may affect his tender.

Any neglect or failure on the part of the Bidder to obtain reliable information at Site or elsewhere or on any other matters affecting the execution and completion of the Works of this Contract shall not relieve the accepted Bidder from any risks or liabilities or from the responsibilities of completing and handing over the works.

Abraj Energy Services will arrange a guided Site Visit and a notice to this effect will be issued during the tendering period. The Bidder shall contact Contract Administrator/ Contract Engineer through Email regarding the time and date of the guided Site Visit.

Any of the employees, servants or agents of the Bidder will be allowed by Abraj to enter the site and his premises and land for the purposes of inspection and examination strictly on condition that such persons, firms or companies will indemnify the Company and his servants and agents from and against all liability arising out of any personal injury, fatal

or otherwise, loss or damage to property and any other loss directly or indirectly attributable to the said inspection and examination.

## 2.7 Submission of Bids

The Tender shall be submitted in two parts: one comprising a Technical Tender and one containing the Commercial Tender. The Technical Tender shall contain all the required documents requested in the Tender Documents excluding any financial references. The Commercial Tender shall contain all financial documents and information. Bidders who fail to adhere to this requirement will result in the disqualification of their Tender.

The Bid Form together with all information and documentation shall be completed and submitted by email only.

The bidder must affix its initialed company stamp to every page of its original Tender submission which should include all parts of the Tender Documents. The original shall be clearly marked "ORIGINAL"

Bidders not complying with the requirements of the Bid Form and the submission and delivery of the bids may be deemed non-responsive to the Invitation to Tender and their bids may be excluded from further consideration.

The Bidders should submit the bids which should be signed by Authorized person of the company and company may verify if it is required from CEO or Owner of bidder or any other Agencies e.g. Chamber of Commerce. .

No deletions or erasures may be made in the list of prices and the schedule of categories. Any correction in the prices etc. shall be re-written in numbers and words and signed by the authorized person.

The bidder may not delete or modify any clauses or technical specifications irrespective of the nature of such modification.

Any special conditions or modifications shall be sent in or attached with a separate letter kept in the tender envelope. A reference shall be made to this letter in the bid itself. No other alternative shall be acceptable.

The price schedule shall specify whether the item is manufactured in the Sultanate of Oman or abroad. Inaccuracy of the information submitted, partly or fully, shall lead to the rejection of the item without prejudice to the Abraj Tender Committee's right to deprive the bidder of the facility to deal with other tenders of the Company within a period specified by the relevant Abraj Tender Committee (ATC), depending on the situation of each case.

The prices quoted by the bidder in the schedule of categories shall include and cover all the expenses and liabilities, irrespective of their nature, to be incurred or met in respect of each clause and shall also include those involved in the completion, delivery and maintenance if required, of all the works during the period of guarantee and maintenance.

The final calculation shall be done on the basis of these prices irrespective of fluctuations in the market, the customs duty and other duties and taxes.

The bidder shall, in case of the submission of one or more alternative offer, ensure that these offers are clear and detailed and referred to in the list of contents.

If the bidder fails to specify the price of an item required to be supplied in the price list, this



shall be considered as abstention from participation in the tender in respect of such item.

The prices specified in words shall be accepted. As an exception, the relevant may accept the offer specified in numbers only in the Company's interest.

A bid based on a reduction in the lowest bid by a specified percentage shall also not be acceptable.

To submit the Commercial bid, the following shall be taken into account:

- a. If the goods are required to be delivered on board the ship, the price given in the bid shall include the price of the items, adding thereto the expenses for mobilization, transportation and loading in accordance with the FOB system.
- b. If the goods are required to be delivered at the port of arrival, the price given in the bid shall include the price of the items, adding thereto the expenses for mobilization, transportation, loading and shipping in accordance with the C & F system.
- c. If the goods are required to be delivered at the port of arrival, the price given in the bid shall include the price of the items, adding thereto the expenses for mobilization, transportation, loading, shipping, insurance and unloading in accordance with the CIF system.
- d. If the goods are required to be delivered at the stores of the purchaser or the work sites, the price given in the bid shall include the price of the items, adding thereto the expenses for mobilization, transportation and loading, the shipment charges, the insurance cost and expenses on unloading, customs duties, internal transportation and other additional charges.
- e. In all cases, the contractor shall bear all the expenses for getting the letter of credit from the Company pertaining to their banker while the Company shall bear the letter of credit opening charges pertaining to its banker in Oman.
- f. The data or information for Commercial Bid submission will be as per attached Annexure-10.

Bidders accept full responsibility for ensuring their bids are delivered or submitted to the correct email address by the specified deadline. Bids submitted to any other address or later than the deadline may not be considered.

Bidders forwarding their bids by courier should advise by email to [Contract@abrajenergy.com](mailto:Contract@abrajenergy.com), when the bid has been sent by courier, naming the courier and tracing number.

Bids received after the final bid submission deadline will be returned unopened to the bidder.

**The Submission date for bid is at 02.00 PM on 24/05/2023**

Company expressly reserves the right to extend the bid submission deadline.

You have to forward your offer in soft copy addressed to the Senior Tender Committee to the mail ID: [Tender.STC@abrajenergy.com](mailto:Tender.STC@abrajenergy.com) on or before official Bid closing date.

## 2.8 Currency of Contract

The currency of the contract will be in Omani Rials (OMR) or US Dollar. In the case of a tender submitted by an individual or companies abroad, it is permitted to write the prices in foreign currency provided the equivalent Oman currency must be mentioned. Tender in foreign currency without the equivalent Oman currency will be rejected.

## 2.9 Validity of Tenders

The Bid Proposal shall remain valid and irrevocable for a period of Ninety (90) days from the closing date for the submission of Tenders. Company intends to notify all Bidder of the result of their Tender submission during this period. If Bidder retracts or withdraws its Tender during the period of its validity without receiving authorization from Company, Company may, at its sole discretion, without the need for summons, notice or other legal formalities or exercise any other rights stipulated in the Tender Documents.

In exceptional circumstances, prior to expiry of the original, the procuring agency may request the bidders to extend the period of validity for a specified additional period, which shall not be for more than one third of the original period of bid validity. The request and the responses thereto, shall be made in writing. A bidder may refuse the request without the forfeiture of the bid security. In case, a bidder agreed to the request, shall not be required or permitted to modify the bid, but will be required to extend the validity of the bid security for the period of the extension

## 2.10 Language of Contract

All correspondence with the Company or the Company' representative shall be in the English Language. Original documents or copies submitted by Tenders, which are not in Arabic or English, should be accompanied by English translation.

## 2.11 No Alterations

No Alterations to the text of the Tender Documents shall be made except for filling in blanks intended to be filled-in. Failure to fully comply with this instruction may result in the rejection of the Tender.

Any alteration to a unit rate or amount made by the Bidder to correct clerical errors entered by him in the Schedule of Prices and Schedule of Rates during the preparation of the tender must be initialed by the person authorized to sign the Tender prior to the submission of tender.

## 2.12 QHSE Requirements

The Supplier shall comply with all the HSE requirements of Abraj Energy Services (S.A.O.C). As specified while executing the required supply works. Bidder shall fully describe its HSE record for the last three years. This shall include details of accidents and incidents involving Bidder's personnel and third parties for the activities undertaken by Bidder.

## 2.13 Bidder Registration Requirements

The successful bidder(s), who are not already registered, will be sent a supplier

registration form and will have up to 30 days to register with Abraj Energy Services. The request need to be send to following email address to get the necessary documents required to complete registration process:

Email Address: [Contract@abrajenergy.com](mailto:Contract@abrajenergy.com)

#### **2.14 Opening of Tenders**

Both Technical & Financial Offers submitted will be opened at the time and day specified in the advertised invitation to Tender at the offices of Abraj Energy Services. Any Tender received after the time and date fixed for submission of Tenders will be rejected.

#### **2.15 Tender Bond**

The Bidder must furnish, as part of his Tender, a Tender Bond in the value of not less than 1% of the Tender Value. If the Bidder submits an alternative Tender, the one percent shall be calculated based on the highest Tender Value. The wording of the Tender Bond shall be as per the prescribed Form of Tender Bond included within the Tender Document. See Annexure-12.

The Tender Bond shall be denominated in Omani currency and shall be obtained from a bank located and registered in the Sultanate of Oman and valid for ninety (90) days from the latest date fixed for the submission of Tenders. Any Tender not accompanied by a Tender Bond will be rejected.

The Tender Bond of unsuccessful Bidders will be returned on its expiration or after the award of the Contract to the successful Bidder.

The Tender Bond will be forfeited:

- i) If a Bidder withdraws his Tender during the period of Tender validity specified in the Tender Documents; or
- ii) In the case of a successful Bidder, if the Bidder fails:
  - a) to sign the Contract; and/or
  - b) To furnish the Performance Bond.

#### **2.16 Performance Bond**

For the due performance of the Contract, The Supplier will be required to provide a Performance Bond within (7) calendar days from the date of the Letter of Acceptance to the value of five percent (5%) of the Contract Value, obtained from a Bank registered in the Sultanate of Oman, and valid for the whole of the Contract and Defects Liability Period. The Performance Bond will be retained by the Company during the Contract and Defects Liability Period and will be returned to the Supplier upon the satisfactory completion of the Defects Liability Period. The Performance Bond shall be as per the prescribed "Form of Performance Bond" included in the Tender Document.

#### **2.17 Evaluation of Tenders**

After received of Bids, Abraj evaluation Team will conduct evaluation of Bid. Technical and Commercial bids will be evaluated separately by different Evaluation Team. Tender evaluation Strategy of bids will be conducted as per Annexure-11.

## 2.18 Award contract

Abraj reserves the right to reject all of the bids for any reason and not award the Contract to any Bidder.

Abraj reserves the right to award the Contract to a Bidder other than the lowest Bidder and to negotiate any amendment to the terms of the contract with the successful Bidder.

Abraj reserves the right to seek clarification from bidders during the evaluation process.

Bids will be evaluated by Company to determine the best qualified and most competitive.

Bidder taking into consideration all aspects of the bid, including but not limited to:

- a. The bidder's technical ability to perform the job to Company specifications and the suitability of the proposed equipment, tools, goods, processes and programs.
- b. The rates offered.
- c. Bidder's financial integrity, past performance, reputation within the industry.

In the event that Company estimates that the bid price exceeds competitive limits, it may request the bidder to reconsider the bid price with the aim to lower the price, and such a request shall not be considered as a rejection or acceptance by the Company until the validity period specified herein.

Notification of Acceptance: By way of a Letter of Intent to Award, Company shall notify the successful Bidder of Company acceptance of its Tender subject to the following conditions precedent: Signing of the Contract.

For the purpose of determining the start dates of the Performance Bond and the Insurances, the date of the Letter of Intent to Award shall be used unless another date is otherwise stipulated in the Letter of Intent to Award. If the successful Bidder fails to submit the documentation per (a) and (b) above within the time period stipulated in the Letter of Intent to Award, Company may, at its sole discretion, without the need for summons or notice or other legal formalities, exercise any rights stipulated in the Tender Documents, and notify the successful Bidder that the Contract is, ipso facto, terminated. The Effective Date, as entered in the Agreement, shall be determined at the sole discretion of Company.

## 3. ABRAJ STANDARD TERMS & CONDITIONS

Abraj's standard terms and conditions are attached as per Annexure 12 and any deviation to terms and conditions should be specifying in Commercial Bid.

Company expressly reserves the right to extend the bid submission deadline. Bidders not complying with the requirements of the Bid Form and the submission and delivery of the bids may be deemed non-responsive to the Invitation to Tender and their bids may be excluded from further consideration.

Bidders accept full responsibility for ensuring their Bids are delivered to the email addresses by the specified deadline. Bids submitted to any other email address or later than the deadline may not be considered.

**FORM OF TENDER**

MITC.230409.OPS.M046, Rig Move for Abraj Rigs (205 and 210) including Rig Main  
Camp & Accessories in OQ Block 60 Fields

To:

**Abraj Energy Services (SAOG)**  
Al-Mawaleh, PO Box 1156, PC 130, Azaiba,  
**Sultanate of Oman**

Sir/Madam,

1. We have examined the Conditions of Contract, Company’s Requirements, and Addenda listed hereunder for the above named Works. We have examined, understood and checked these documents and have ascertained that they contain no errors or other defects. We, the undersigned accordingly, offer to execute and completely maintain the whole of the said Works for the prices set out in our Tender.

Rials Omani .....

(R.O. ....) or such other sum or currency\*

(.....)

2. We undertake if our Tender is accepted to commence the work in accordance within ..... Days of the Contract Conditions and to complete the Works in accordance with the above documents within the time for Completion stated in the Appendix to the Form of Tender. We guarantee that the Works will then conform to the Performance Guarantees included in this Tender.
3. We undertake that if our Tender is accepted we will provide the specified Performance Bond from a locally registered Insurance Company or Bank in accordance with SubClause 2.16 of the above instruction to Bidder to be jointly and severally bound with us in the sum of five percent (5%) of the Contract Price for the due performance of the Contract under the terms of a Performance Bond to be approved by you.
4. We agree to abide by this Tender for a period of 90 days from the date fixed for receiving same and it shall remain binding upon us and may be accepted at any time before the expiration of that period.
5. Until the Contract is prepared and executed this Letter of Tender, together with your written acceptance thereof, shall constitute a binding obligation upon us.
6. We understand that you are not bound to accept the lowest or any tender you may receive.
7. We acknowledge the receipt of the following Circular Letter and Addenda:

Reference number of Addenda:	Date
.....	.....
.....	.....

.....  
.....

And confirm that we have taken account of same in our Tender.

- 8. We confirm that we have an Agent/s for the provision of Spare Parts, Maintenance Services and repair who are:

Name \_\_\_\_\_

Address \_\_\_\_\_

And whose Agency Registration Number is \_\_\_\_\_

Dated \_\_\_\_\_

Name \_\_\_\_\_

Address \_\_\_\_\_

And whose Agency Registration Number is \_\_\_\_\_

Dated \_\_\_\_\_

**Annexure- 01 Scope of Work**

**Objective**

Abraj Energy Services (AES), since it was founded in May 2006, has taken major strides and has rapidly grown to become a strong player in the Oil and Gas market. AES specializes in Drilling and Oilfield services as well as Well Engineering Solutions. Within few years of its establishment, AES has achieved a remarkable place in the local market providing solutions and services in a safe environment and up to customer satisfaction. Lately Abraj has expanded its operation outside Oman and expected to start operation in Kuwait

**Subject**

Abraj is issuing this tender for having a rate agreement contract for the Supply of Choke Manifold & Side outlet valves as per the Scope of Work for JO Project and Rigs operating in Oman.

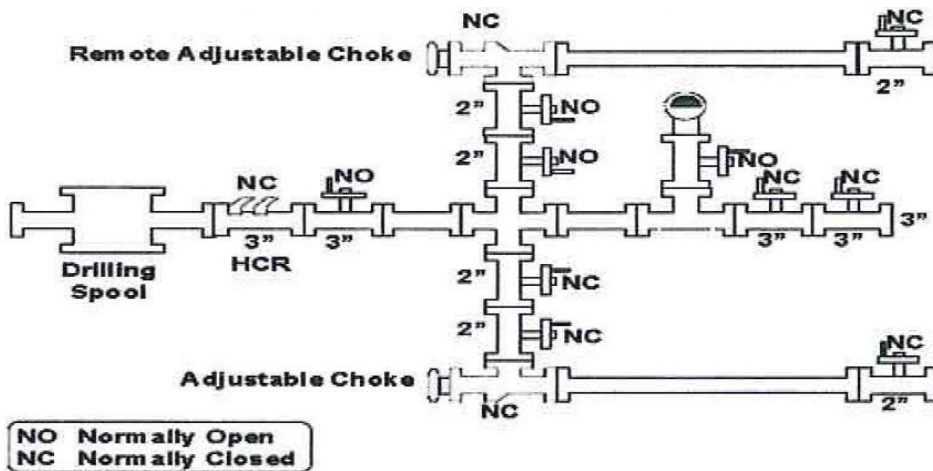
**Scope of Work**

SN	Description	Item Code	Qty
1	<p>4-1/16” 5K CHOKE MANIFOLD MANUFACTURED AND MONOGRAMMED TO API SPECS 16C COMPLETE WITH ACCESSORIES AND DRILLING CHOKE CONTROL PANEL.</p> <ol style="list-style-type: none"> <li>1. MANIFOLD SHALL BE SUITABLE FOR SOUR SERVICES APPLICATION IN ACCORDANCE WITH NACE MR-0175 (LATEST EDITION).</li> <li>2. ALL RING GASKETS USED SHALL BE OF STAINLESS STEEL. (CARBON STEEL NOT ACCEPTABLE).</li> <li>3. ALL RING GROOVES SHALL HAVE SS INLAYS</li> <li>4. ALL GATE VALVES MANUFACTURED TO API SPECIFICATION 6A (LATEST EDITION) AND NACE MR0175 (LATEST EDITION), MATERIAL CLASS DD-NL OR EE-NL, TEMP CLASS P/U, PSL 3, PR-2</li> <li>5. ALL GATE VALVE UPSTREAM OF CHOKE SHALL BE PSL 3G AND PR2.</li> <li>6. THE MANIFOLD SHALL BE MONTED ON SPLITABLE SKID (PINNED) FOR TRANSPORTATION PURPOSES IF WIDTH GREATER THAN FLAT BED TRAILER.</li> <li>7. MANIFOLD SHALL HAVE ABILITY TO BE CONNECTED WITH STANDPIPE MANIFOLD TO A 2” 5000 PSI KILL LINE</li> </ol> <p>THE CHOKE MANIFOLED SHALL INCLUDED FOLLOWINGS AS MINIMUM;</p> <ol style="list-style-type: none"> <li>1. NON-RISING GATE VALVES, HAND WHEEL OPERATED, 3 1/8" X 5000 WP FLANGED ENDS, WITH STAINLESS STEEL LINED RING GROOVES COMPLETE WITH HAND WHEEL. QTY. - <b>13 NO.</b></li> <li>2. GATE VALVES, HAND WHEEL OPERATED, 2 1/16" X 5000 WP FLANGED ENDS, WITH STAINLESS STEEL LINED RING GROOVES COMPLETE WITH HAND WHEEL QTY. - <b>1 NO.</b></li> <li>3. MANUAL ADJUSTABLE DRILLING CHOKE (2-1/16” 5K minimum) – QTY. - <b>2 NO.</b></li> <li>4. HYDRAULICALLY/REMOTELY OPERATED DRILLING CHOKE (3-1/8” 5K minimum) QTY. - <b>1 NO.</b></li> </ol>		3

5. 5 WAY STUDDED CROSSES, SPACER SPOOLS, TEES, YEE, 4 WAY STUDDED CROSSES, FLANGES AS REQUIRED TO COMPLETE THE CHOKE MANIFOLD AS PER API 16C LATEST EDITION.
6. CHOKE MANIFOLD SHALL HAVE PROVISION FOR CONNECTING BYPASS LINE TO FACILITATE BYPASSING MGS AND ROUTING TO A SAFE AREA.
7. PROVISION SHALL BE MADE FOR INSTALING GLYCOL/METHENOL INJECTION SYSTEM UPSTREAM OF CHOKE TO PREVENT HYDRATE FORMATION DURING HANDLING KICK.
8. THERE SHALL BE TWO (2) VALVES UPSTREAM OF EVERY CHOKE, ONE (1) VALVE DOWNSTREAM OF THE CHOKE, TWO (2) VALVES IN BLEED/BYPASS LINE AND TWO (2) VALVE IN INTER CONNECTION LINE.

**DOCUMENTATION:**

1. COC
2. MANUFACTRUNG DATA BOOK IN ACCORDANCE WITH API 6A REQUIREMENT
3. PRESSURE TEST CERTIFICATE & CHARTS
4. MATERIAL TRACEABILITY SHEET
5. WELD REPORT/NDE REPORT/TEST REPORT ETC.
6. BILL OF MATERAIL & ASSEMBLY DRAWING
7. OPERATION AND MAINTENANCE MANUAL
8. PART LIST BOOK



- 2 DRILLING CONTROL CONSOLE FOR 5,000 PSI / 34500 KPA CHOKE, CONSISTING OF THE FOLLOWING:
- 0-6,000 PRESSURE GAUGES (ANALOG/DIGITAL) (LABELED CHOKE/KILL) COMPLETE WITH ALL REQUIRED ACCESSORIED INCLUDING BUT NOT LIMITED TO PRESSURE TRANSDUCER, HOSE, CABLE, FITTING, T-PIECE ETC. (DIGITAL PRESSURE GAUGES MUST MEETS HAZARDOUS AREA ZONE-2 REQUIREMENT.)
  - TOTAL 5 IDENTICAL PRESSURE GAUGE (RELETAVILY LARGE DIAL) COMPLETE WITH 3 TRANSDUCER AND HOSES SHALL BE SUPPLIED. ANNULAR PRESSURE GAUGE AND PUMP PRESSURE GAUGE POSITIONED ON LOCAL PANEL ON MANIFOLD SKID IN A WAY THAT IT IS VISBLE VISIBLE FROM OPERATING POSITION OF MANUALLY ADJUSTABLE CHOKE. GAUGES READ OUT FROM SAME PRESSURE TRANSDUCER WILL ALSO BE REQUIRED IN REMOTE CONTROL PANEL.

3



	<p><b>NOTE#1:</b> GAUGE SHALL BE CLEARLY READABLE, <b>SPECIFY THE PRESSURE INCREMENT.</b></p> <p><b>NOTE#2:</b> ONE (1) PRESSURE GAUGE AND ONE (1) TRANSDUCER WILL SERVE AS SPARE.</p> <ul style="list-style-type: none"> <li>• 3 PUMP PROXIMITY TYPE STROKE COUNTER WITH 6 PANEL DISPLAY COMPLETE WITH 3 PUMP CABLE ASSEMBLIES</li> <li>• PNEUMATIC OPERATED HYDRAULIC PUMPS WITH EMERGENCY OPERATING HANDLES</li> <li>• HYDRAULIC TANK ASSEMBLY (MIN 8 GALLON)</li> <li>• CHOKE POSITION INDICATOR (ANALOG/DIGITAL) WITH COMPLETE ACCESSORIES</li> <li>• CHOKE OPERATING HOSES</li> <li>• 160 PSI WP AIR PRESSURE GAUGE</li> <li>• 3,000 PSI WP HYDRAULIC PRESSURE GAUGE</li> <li>• NITROGEN BACKUP ACCUMULATOR ASSEMBLY TO ALLOW</li> <li>• SAFETY VALVE FOR ACCUMULATOR</li> <li>• INLINE CHECK VALVE FOR ACCUMULATOR</li> <li>• ALL OTHER ACCESSORIES TO COMPLETE THE CONSOLE AND INTEGRATE WITH MANIFOLD.</li> </ul> <p><b>DOCUMENTATION:</b></p> <ol style="list-style-type: none"> <li>1. COC</li> <li>2. MANUFACTURING DATA BOOK</li> <li>3. BILL OF MATERILA WITH ASSEMBLY DRAWING</li> <li>4. OPERATION AND MAINTENANCE MANUAL</li> <li>5. PART LIST BOOK</li> <li>6. GAUGE CALLIBRATION REPORT</li> <li>7. EX CERTIFICTAION FOR EXPLOSION PROOF EQUIPMENT</li> </ol>		
<p>4</p>	<p>GATE VALVES, HAND WHEEL OPERATED, 3 1/8" X 5000 PSI RWP FLANGED ENDS, WITH STAINLESS STEEL LINED RING GROOVES COMPLETE WITH HAND WHEEL MANUFACTURED AND MONOGRAMED IN ACCORDANCE WITH API 6A(LATEST EDITION) AND NACE MR0175 (LATEST EDITION), MATERIAL CLASS DD-NL OR EE-NL, TEMP CLASS: P+U, PSL 3G, PR2 COMPLETE WITH HAND WHEEL</p> <p><b>DOCUMENTATION:</b></p> <ol style="list-style-type: none"> <li>1. COC</li> <li>2. MANUFACTURING DATA BOOK IN ACCORDANCE WITH API 6A REQUIREMENT</li> <li>3. PRESSURE TEST CERTIFICATE &amp; CHARTS</li> <li>4. MATERIAL TRACEABILITY SHEET</li> <li>5. WELD REPORT/NDE REPORT/TEST REPORT ETC.</li> <li>6. BILL OF MATERAIL &amp; ASSEMBLY DRAWING</li> <li>7. OPERATION AND MAINTENANCE MANUAL</li> <li>8. PART LIST BOOK</li> </ol>	<p>1004093</p>	<p>6</p>
<p>5</p>	<p>HYDRAULLICALLY OPERATED GATE VALVES, 3 1/8" X 5000 PSI RWP FLANGED ENDS, WITH STAINLESS STEEL LINED RING GROOVES COMPLETE WITH HAND WHEEL MANUFACTURED AND MONOGRAMED IN ACCORDANCE WITH API 6A(LATEST EDITION) AND NACE MR0175 (LATEST EDITION), MATERIAL CLASS DD-NL OR EE-NL, TEMP CLASS: P+U, PSL 3G, PR2 COMPLETE WITH HAND WHEEL</p> <p><b>DOCUMENTATION:</b></p> <ol style="list-style-type: none"> <li>1. COC</li> </ol>	<p>1004094</p>	<p>6</p>

	<ol style="list-style-type: none"> <li>2. MANUFACTURING DATA BOOK IN ACCORDANCE WITH API 6A REQUIREMENT</li> <li>3. HYDRAULIC ACTUATOR PRESSURE TESTING REPORT &amp; CHART</li> <li>4. PRESSURE TEST CERTIFICATE &amp; CHARTS</li> <li>5. MATERIAL TRACEABILITY SHEET</li> <li>6. WELD REPORT/NDE REPORT/TEST REPORT ETC.</li> <li>7. BILL OF MATERAIL &amp; ASSEMBLY DRAWING</li> <li>8. OPERATION AND MAINTENANCE MANUAL</li> <li>9. PART LIST BOOK</li> </ol>		
6	<p>CHECK VALVE, 3-1/8", 5000 PSI RWP FLANGED ENDS WITH STAINLESS STEEL LINED RING GROOVE, MANUFACTURED AND MONOGRAMMED IN ACCORDANCE WITH API 6A (LATEST EDITION) AND NACE MR0175 (LATEST EDITION), MATERIAL CLASS DD-NL OR EE-NL, TEMP P+U API 6A 20TH ED, NACE MR0175, MAT: DD-NL, TEMP CLASS: P+U, PSL 3G, PR2</p> <p><b>DOCUMENTATION:</b></p> <ol style="list-style-type: none"> <li>1. COC</li> <li>2. MANUFACTURING DATA BOOK IN ACCORDNACE WITH API 6A REQUIREMENT</li> <li>3. PRESSURE TEST CERTIFICATE &amp; CHARTS</li> <li>4. MATERIAL TRACEABILITY SHEET</li> <li>5. WELD REPORT/NDE REPORT/TEST REPORT ETC.</li> <li>6. BILL OF MATERAIL &amp; ASSEMBLY DRAWING</li> <li>7. OPERATION AND MAINTENANCE MANUAL</li> <li>8. PART LIST BOOK</li> </ol>	1004095	3
7	<p>GATE VALVES (NON-RISING STEM TYPE), HAND WHEEL OPERATED, 4-1/16" x 5000 PSI RWP FLANGED ENDS, WITH STAINLESS STEEL LINED RING GROOVES COMPLETE WITH HAND WHEEL MANUFACTURED AND MONOGRAMMED IN ACCORDANCE WITH API 6A(LATEST EDITION) AND NACE MR0175 (LATEST EDITION), MATERIAL CLASS DD-NL OR EE-NL, TEMP CLASS: P+U, PSL3, PR2 COMPLETE WITH HAND WHEEL</p> <p><b>DOCUMENTATION:</b></p> <ol style="list-style-type: none"> <li>1. COC</li> <li>2. MANUFACTURING DATA BOOK IN ACCORDANCE WITH API 6A REQUIREMENT</li> <li>3. PRESSURE TEST CERTIFICATE &amp; CHARTS</li> <li>4. MATERIAL TRACEABILITY SHEET</li> <li>5. WELD REPORT/NDE REPORT/TEST REPORT ETC.</li> <li>6. BILL OF MATERAIL &amp; ASSEMBLY DRAWING</li> <li>7. OPERATION AND MAINTENANCE MANUAL</li> <li>8. PART LIST BOOK</li> </ol>		6
8	<p>HYDRAULICALLY OPERATED GATE VALVES (FAIL CLOSE VALVE – SPRING ASSIST CLOSE), 4-1/16" X 5000 PSI RWP FLANGED ENDS, WITH STAINLESS STEEL LINED RING GROOVES COMPLETE WITH HAND WHEEL MANUFACTURED AND MONOGRAMMED IN ACCORDANCE WITH API 6A(LATEST EDITION) AND NACE MR0175 (LATEST EDITION), MATERIAL CLASS DD-NL OR EE-NL, TEMP CLASS: P+U, PSL3, PR2 COMPLETE WITH HAND WHEEL</p> <p><b>DOCUMENTATION:</b></p> <ol style="list-style-type: none"> <li>1. COC</li> <li>2. MANUFACTURING DATA BOOK IN ACCORDANCE WITH API 6A REQUIREMENT</li> <li>3. HYDRAULIC ACTUATOR PRESSURE TESTING REPORT &amp; CHART</li> </ol>		6

	<ol style="list-style-type: none"> <li>4. PRESSURE TEST CERTIFICATE &amp; CHARTS</li> <li>5. MATERIAL TRACEABILITY SHEET</li> <li>6. WELD REPORT/NDE REPORT/TEST REPORT ETC.</li> <li>7. BILL OF MATERAIL &amp; ASSEMBLY DRAWING</li> <li>8. OPERATION AND MAINTENANCE MANUAL</li> <li>9. PART LIST BOOK</li> </ol>		
9	<p>CHECK VALVE, 4-1/16", 5000 PSI RWP FLANGED ENDS WITH STAINLESS STEEL LINED RING GROOVE, MANUFACTURED AND MONOGRAMMED IN ACCORDANCE WITH API 6A (LATEST EDITION) AND NACE MR0175 (LATEST EDITION), MATERIAL CLASS DD-NL OR EE-NL, TEMP P+U API 6A 20TH ED, NACE MR0175, MAT: DD-NL, TEMP CLASS: P+U, PSL3, PR2</p> <p><b>DOCUMENTATION:</b></p> <ol style="list-style-type: none"> <li>1. COC</li> <li>2. MANUFACTURING DATA BOOK IN ACCORDNACE WITH API 6A REQUIREMENT</li> <li>3. PRESSURE TEST CERTIFICATE &amp; CHARTS</li> <li>4. MATERIAL TRACEABILITY SHEET</li> <li>5. WELD REPORT/NDE REPORT/TEST REPORT ETC.</li> <li>6. BILL OF MATERAIL &amp; ASSEMBLY DRAWING</li> <li>7. OPERATION AND MAINTENANCE MANUAL</li> <li>8. PART LIST BOOK</li> </ol>		3
10	<p>GATE VALVES (NON-RISING STEM TYPE), HAND WHEEL OPERATED, 4-1/16" x 10000 PSI RWP FLANGED ENDS, WITH STAINLESS STEEL LINED RING GROOVES COMPLETE WITH HAND WHEEL MANUFACTURED AND MONOGRAMMED IN ACCORDANCE WITH API 6A(LATEST EDITION) AND NACE MR0175 (LATEST EDITION), MATERIAL CLASS DD-NL OR EE-NL, TEMP CLASS: P+U, PSL 3G, PR2 COMPLETE WITH HAND WHEEL</p> <p><b>DOCUMENTATION:</b></p> <ol style="list-style-type: none"> <li>1. COC</li> <li>2. MANUFACTURING DATA BOOK IN ACCORDANCE WITH API 6A REQUIREMENT</li> <li>3. PRESSURE TEST CERTIFICATE &amp; CHARTS</li> <li>4. MATERIAL TRACEABILITY SHEET</li> <li>5. WELD REPORT/NDE REPORT/TEST REPORT ETC.</li> <li>6. BILL OF MATERAIL &amp; ASSEMBLY DRAWING</li> <li>7. OPERATION AND MAINTENANCE MANUAL</li> <li>8. PART LIST BOOK</li> </ol>	1001958	12
11	<p>HYDRAULLICALLY OPERATED GATE VALVES (FAIL CLOSE VALVE – SPRING ASSIST CLOSE), 4-1/16" X 10000 PSI RWP FLANGED ENDS, WITH STAINLESS STEEL LINED RING GROOVES COMPLETE WITH HAND WHEEL MANUFACTURED AND MONOGRAMMED IN ACCORDANCE WITH API 6A(LATEST EDITION) AND NACE MR0175 (LATEST EDITION), MATERIAL CLASS DD-NL OR EE-NL, TEMP CLASS: P+U, PSL 3G, PR2 COMPLETE WITH HAND WHEEL</p> <p><b>DOCUMENTATION:</b></p> <ol style="list-style-type: none"> <li>1. COC</li> <li>2. MANUFACTURING DATA BOOK IN ACCORDANCE WITH API 6A REQUIREMENT</li> <li>3. HYDRAULIC ACTUATOR PRESSURE TESTING REPORT &amp; CHART</li> <li>4. PRESSURE TEST CERTIFICATE &amp; CHARTS</li> <li>5. MATERIAL TRACEABILITY SHEET</li> <li>6. WELD REPORT/NDE REPORT/TEST REPORT ETC.</li> </ol>	1001959	12

	<p>7. BILL OF MATERAIL &amp; ASSEMBLY DRAWING              8. OPERATION AND MAINTENANCE MANUAL              9. PART LIST BOOK</p>		
12	<p>CHECK VALVE, 4-1/16", 10000 PSI RWP FLANGED ENDS WITH STAINLESS STEEL LINED RING GROOVE, MANUFACTURED AND MONOGRAMMED IN ACCORDANCE WITH API 6A (LATEST EDITION) AND NACE MR0175 (LATEST EDITION), MATERIAL CLASS DD-NL OR EE-NL, TEMP P+U API 6A 20TH ED, NACE MR0175, MAT: DD-NL, TEMP CLASS: P+U, PSL 3G, PR2</p> <p><b>DOCUMENTATION:</b></p> <ol style="list-style-type: none"> <li>1. COC</li> <li>2. MANUFACTURING DATA BOOK IN ACCORDNACE WITH API 6A REQUIREMENT</li> <li>3. PRESSURE TEST CERTIFICATE &amp; CHARTS</li> <li>4. MATERIAL TRACEABILITY SHEET</li> <li>5. WELD REPORT/NDE REPORT/TEST REPORT ETC.</li> <li>6. BILL OF MATERAIL &amp; ASSEMBLY DRAWING</li> <li>7. OPERATION AND MAINTENANCE MANUAL</li> <li>8. PART LIST BOOK</li> </ol>	1001960	6
13	<p>GATE VALVES, HAND WHEEL OPERATED, 3 1/8" X 3000 PSI RWP FLANGED ENDS, WITH STAINLESS STEEL LINED RING GROOVES COMPLETE WITH HAND WHEEL MANUFACTURED AND MONOGRAMMED IN ACCORDANCE WITH API 6A(LATEST EDITION) AND NACE MR0175 (LATEST EDITION), MATERIAL CLASS DD-NL OR EE-NL, TEMP CLASS: P+U, PSL 3G, PR2 COMPLETE WITH HAND WHEEL</p> <p><b>DOCUMENTATION:</b></p> <ol style="list-style-type: none"> <li>1. COC</li> <li>2. MANUFACTURING DATA BOOK IN ACCORDANCE WITH API 6A REQUIREMENT</li> <li>3. PRESSURE TEST CERTIFICATE &amp; CHARTS</li> <li>4. MATERIAL TRACEABILITY SHEET</li> <li>5. WELD REPORT/NDE REPORT/TEST REPORT ETC.</li> <li>6. BILL OF MATERAIL &amp; ASSEMBLY DRAWING</li> <li>7. OPERATION AND MAINTENANCE MANUAL</li> <li>8. PART LIST BOOK</li> </ol>	1004421	2

**Other Requirements**

- a. Vender must provide dimensional drawing of each valve & complete manifold with details specification including but not limited to Technical Datasheet, Major/Minor repair kit Part Nos, Nominal and Minimum acceptable wall thickness etc.
- b. Vender must commit to provide Minimum of following documents during delivery;
  - I.COC
  - II.Manufacturing record book meeting API 6A & 16C requirement (minimum).
  - III.Hydrostatic Pressure Test Report
  - IV.Operation Manual (English)
  - V.Maintenance Manual
  - VI.Part List Book

**Bidder Compliance**

Company Requirements	Compliance (Yes /No)
1. Bidder to Specify the Lead time for Delivery for each item, exW, DDP (Muscat/Oman), CIF (Sohar/Kuwait)	
2. Bidder shall offer min 12-month warranty. An extended Warranty is preferred.	
3. Bidder shall submit the OEM manual & Technical Datasheet along with Bid.	
4. Bidder shall commit to providing all required documentation during the delivery of material such COC, COO, Warranty Certificate, Data book, applicable Test Reports etc. (as applicable), Part list book etc.	
5. No commitment for minimum purchase qty or value	
6. Bidder to provide optional quote for 1 Year spare	

**Additional Info:**

- Contract Duration: 2 Years with an option to extend the contract for 1 additional year.

**Bidder Submitted Specification**

**Bidder Deviations (If Any)**

**Annexure - 02 Expression of Interest**

<b>Abraj Energy Services S.A.O.C.</b>	
<b>FROM:</b>	Supply Chain Department
<b>DOCUMENT:</b>	AES-02 / Expression of Interest
<b>TENDER REFERENCE</b>	MITC.230409.OPS.M046, RATE AGREEMENT FOR SUPPLY OF CHOKE MANIFOLD & VALVES

Dear Sir/Madam,

You are hereby invited to express your interest (EOI) for the above mentioned tender and confirms the following:

To register your interest please complete the forms listed below duly signed by authorized signatory and submitted within three (3) days of reviewing the Invitation to Tender (ITT) to:

[Contract@abrajenergy.com](mailto:Contract@abrajenergy.com)

1. Annexure-03 Interest to Participate in Tender and Confidentiality Declaration for Tender
2. Annexure-04 Declaration to Comply with Company Requirement

Please note that all submissions and communications pursuant to this EOI notice shall bear following caption the Tender Reference

Our pre-qualification and tendering processes shall follow your EOI. If we do not receive any response from you on or before the above mentioned date, you will not be eligible to participate in this tender.

Abraj takes this opportunity to wish you all the best and we hope to deal with you soon.

Regards,

Supply Chain Department

Abraj Energy Services S.A.O.C.

**Annexure – 03 Interest to Participate in Tender and Confidentiality Declaration for Tender**

Abraj Energy Services S.A.O.C.	
<b>FROM:</b>	Supply Chain Department
<b>DOCUMENT:</b>	AES-03 / Interest to Participate in Tender and Confidentiality Declaration for Tender
<b>TENDER REFERENCE</b>	MITC.230409.OPS.M046, RATE AGREEMENT FOR SUPPLY OF CHOKE MANIFOLD & VALVES

Attention: Contracts Officer

Dear Sir/Madam,

Having reviewed the Tender Document our company would like to register our interest in bidding for above referenced tender.

We the undersigning party (hereinafter called the ‘Bidder’) hereby represents and warrants to ABRAJ ENERGY SERVICES SAOG, being a company incorporated under the laws of the Sultanate of Oman having its Head Office at Al-Mawaleh, PO Box 1156, PC 130, Azaiba, Muscat, Sultanate of Oman (hereinafter called the 'Company') to be unconditionally bound by the following terms and conditions with respect to the receipt, review, and treatment of all information and documents provided to the Bidder by or on behalf of the Company, including but not limited to the Tender Documents, in connection with the Tender Reference mentioend above.

- 1.1. Confidential Information shall mean all knowledge, data or information in connection with this Tender or the Project, which from time to time may be disclosed to the Bidder by Company, or on behalf of Company, in writing, including drawings, magnetic tapes, computer programs or in any other way, as well as all knowledge, data or information derived there from, to the extent that such knowledge, data or information at the time of such acquisition or disclosure is not either already in the unrestricted possession of Contractor or part of public knowledge or literature.
- 1.2. Confidential Record shall mean all documents and any other material containing Confidential Information.
- 2.1. The Bidder shall:
  - (a) preserve and cause its employees, potential Subcontractors and Manufacturers to preserve the secrecy of any Confidential Information;
  - (b) not disclose, except with the prior written consent of the Company, to any Third Party any Confidential Information or Confidential Record or enable any Third Party to note the fact that the Bidder has been invited to submit a Tender for the work for any purpose other than the performance of the work or the preparation and submission of a Tender for the work;
  - (c) not, except with the prior written consent of the Company, reproduce, copy or use, or disclose to, place at the disposal of or use on behalf of any Third Party or enable any Third Party to peruse, copy or use, any Confidential Information for any purpose other than the performance of the work or the preparation and submission of a Tender for the work.

- 2.2. The Bidder may disclose Confidential Information or Confidential Records as required by law or to a court or tribunal of competent jurisdiction if an order for such disclosure is made and, in those circumstances, only to the extent necessary by law or to satisfy such order for disclosure. The Bidder shall notify the Company prior to any such disclosure and shall provide all reasonable assistance as may be requested by the Company to prevent or minimize such disclosure.
- 2.3. The undertakings under Clause 2.1 above shall continue so far as the Confidential Information in question has:
  - (a) not become part of public knowledge or literature, or
  - (b) not been disclosed to the Bidder by a Third Party (other than one disclosing on behalf of the Company) whose possession of such information is lawful and who is under no secrecy obligation with respect to the same.
- 3.1. All intellectual property rights, including but not limited to copyright, patents, trademarks, moral rights and industrial design rights in any Confidential Record shall, in the absence of any express provision to the contrary thereon, be vested in the Company.
- 4.1. In the event that it is decided by the Company that the tendered work will be entrusted to another Bidder, or if the tender process is terminated or suspended by the Company for any reason whatsoever, the Bidder shall, upon receipt of a written notification thereof from the Company, return to the Company the Tender Documents as well as any Confidential Record pertaining thereto and delete any electronic record thereof in Bidder’s possession.
- 5.1. The Bidder shall ensure that if, under the terms of this Confidentiality Declaration, any of the Confidential Information comes to the knowledge of and/or into the possession of any Third Party, the Bidder shall require from such Third Party that it shall abide by identical stipulations to those contained in this Confidentiality Declaration.
- 5.2. Notwithstanding the above clause 5.1, the Bidder shall at all times remain liable to Company for any breach of the obligations under this Confidentiality Declaration, irrespective of whether or not the disclosure is actually caused by the Bidder or a Third Party to whom the Bidder has disclosed the Confidential Information.
- 6.1 This Confidentiality Declaration shall be governed by and construed in accordance with the Laws of the Sultanate of Oman.
- 6.2 In the event of a dispute arising under or in connection with this Confidentiality Declaration, including with respect to the existence, operation or validity of this Confidentiality Declaration, such dispute shall be resolved by arbitration in accordance with the arbitration proceedings and shall be conducted in the English language and the seat of the arbitration shall be Muscat, Sultanate of Oman.

Yours faithfully for: .....

Signature & date: .....

Full Name: .....

Position: .....

Stamp of Bidder





**Annexure – 04 Declaration to Comply with Company Requirement**

Whereas M/s. .... confirm to comply with company requirements as per below checklist:

<b>Item Description</b>	<b>Required by Company (Yes/No)</b>	<b>Supplier Confirmation (Yes/No)</b>	<b>Comments</b>
<b>Compline to Abraj Terms and Conditions</b>	<b>Yes</b>		
<b>Tender Fees</b>	<b>No</b>		
<b>Bidder to Submit Tender Bond as per clause 2.15 of this document</b>	<b>No</b>		
<b>Bidder to Submit Performance Bond as per clause 2.16 of this document</b>	<b>Yes</b>		
<b>Bidder to Submit Advance Payment Bank Guarantee (if any advance payment requested)</b>	<b>Yes</b>		
<b>Bidder to submit Omanisation Certificate</b>	<b>Yes</b>		

Failure to comply with the above checklist will result in Bidder being disqualified from the tendering process.

Agreed and accepted this ..... Day of..... [Insert year]

For and on behalf of Bidder:

**Annexure – 05 Form of Tender Bond**

**Abraj Energy Services (SAOG)**  
 Al-Mawaleh, PO Box 1156, PC 130, Azaiba,  
 Sultanate of Oman

**Tender Bond No. ....**

By this bond we.....whose address  
 is.....hereby guarantee  
 Messrs.....  
 of..... and hold at  
 your disposal the sum of R.O. ....  
 being .....1.....% of the Tender Value from ..... until .....a total period of  
 ninety (90) calendar days.

This bond shall be free of interest and payable in cash on your first written demand in the event of the Bidder either withdrawing his Tender within a period of (90) calendar days from the date for the receipt of Tenders or failing to provide a Performance Bond within ten (10) working days of acceptance of the Tender whichever date is earlier without any reference to or contestation on behalf of the Contractor.

This bond should be returned to us upon its expiry or upon fulfilment of our undertaking, whichever is the earlier.

Authorized Signatures

(To be issued by a locally registered bank)

**Annexure – 06 Form of Performance Bond**

[LETTERHEAD OF BANK]

Guarantee No. [Insert]

[Date]

[Insert Name]

Attention: [Insert]

[Insert Address]

[Insert Address]

Subject: **Bank Guarantee/Performance Bond**

**Contract No. [Insert] dated [Insert] between Abraj Energy Services and [Insert Name of Contractor]**

WHEREAS, [Insert name of Contractor], having its office at \_\_\_\_\_ (the “Contractor”) and Abraj Energy Services LLC (the “Company”), have entered into Contract N. [Insert] dated [Insert] (the “Contract”) on the condition that the Contractor provides the Company, upon execution of the Contract, an unconditional, irrevocable on-demand guarantee by [Insert Name of the Bank], [Insert Address of the Bank] (“Guarantee”) in order to guarantee the fulfilment by the Contractor of all of its obligations under the Contract.

NOW THEREFORE, we, [Insert Name of the Bank], having its registered office at [Insert] (the “Guarantor”), on condition that the Company and the Contractor, in fact, enter into the Contract, do hereby unconditionally and irrevocably undertake and guarantee to pay the Company an amount or amounts up to [Insert amount 5% of the value of the contract], the exact amount or amounts to be solely determined by the Company, immediately upon first written demand by the Company for any such amount or amounts, notwithstanding any objection or contestation by the Contractor.

The Guarantor hereby waives any right it may have to first require the Company to proceed against or enforce any other rights or other guarantee or security with respect to or claim payment from the Contractor before making a demand against or claiming from the Guarantor hereunder. Furthermore, the Guarantor’s obligations hereunder shall not be exonerated by the following described actions, circumstances, matter or thing which, but for this provision, might operate to release or otherwise exonerate the Guarantor from its obligations, including without limitation and whether known or not known to the Guarantor or the Company:

1. Any amendment, modification, extension, indulgence, time, waiver or concession granted to the Contractor, whether as to payment, time performance, or otherwise, under the Contract;
2. Any legal limitation, disability, incapacity or other similar circumstances relating to the Contractor; and/or
3. Any unenforceability or invalidity of any of the Contractor’s obligations to be performed by it under the Contract.

This Guarantee shall be governed by and shall be construed in accordance with the laws of [the Sultanate of Oman], except for the conflict of law principles that would cause the laws of another jurisdiction to apply.

This Guarantee shall be valid from the date first above written and shall remain in full force and effect for [insert date or duration]. Upon expiry of the said [date/duration], the Guarantee shall be null and void without the necessity of it being returned to us.

Yours faithfully,  
[Insert Name of the Bank],

Signed by: \_\_\_\_\_

Name: \_\_\_\_\_

Title: \_\_\_\_\_

And Authorized Signatory

**Annexure – 07 Form of Advance Payment Bond****Abraj Energy Services (SAOG)**

Al-Mawaleh, PO Box 1156, PC 130, Azaiba,  
Sultanate of Oman

**Advance Payment Bond No.....**

Whereas M/s ..... (Hereinafter called the Contractor) has been awarded a Contract dated ..... for implementation, completion and maintenance of ..... Project as described in the contract for the total Contract Price of R.O. .... (Omani Rials ..... Only) and in consideration of your making an advance payment of R.O. .... (Omani Rials ..... Only) to the Contractor being (10%) of the Contract Price, by this bond, we ..... whose address is

.....  
guarantee to pay you a sum not exceeding R.O. .... (Omani Rials ..... Only) on your first written demand without any reference to or contestation on behalf of the Contractor.

It is understood that our liability towards you will be progressively reduced by the amount repaid to you by the Contractor as contained in the Certificates and Payment against the said advance payment.

The bond will be effective from ..... and shall be valid until ....., or until the amount of advance payment is fully recovered, whichever occurs later.

This bond should be returned to us upon its expiry or upon fulfillment of our undertaking whichever is the earlier.

Authorised Signatories

(To be issued by a locally registered bank)

Place:

Date:

**Annexure – 08 In Country Value (ICV)**

**1- Workforce: Number of Omanis Employed**

Table A - : WORKFORCE related to execution of this specific contract duration with details of Main/Lead Contractor or Sub-Contractor.													
	Workforce Category	Senior Management			Professional			Supervisory			Skilled/Semi Skilled		
		HD	MH	CP	HD	MH	CP	HD	MH	CP	HD	MH	CP
Contractor	Omanis												
	Expatriate												
Sub-Contractor	Omanis												
	Expatriate												

**2- Use of Local Goods/Services**

Bidder must provide details in the format below showing local goods/services proposed to be utilized in the performance of the Services. If none: Bidder shall so state.

**a- Goods Made-in-Oman**

#	Goods Description	Manufacturer /Provider	Address	Quantity	% of total quantity sourced from local manufacturer	Total value of local manufactured goods
1						
2						
3						

**b- Goods Procured in Oman**

#	Goods Description	Location of International Manufacturer	Local Supplier Address	Quantity	% of total Contract quantity to be local supply	Total value of local manufactured goods
1						
2						
3						

Summary of Tables A & B		
Total Value of Goods Made in Oman (OMR / USD)	Total Value of Goods Procured in Oman (OMR / USD)	Total Value of Goods Procured from Overseas (OMR / USD)
\$0	\$0	\$0

**c- Local Services Obtained in Oman**

#	Type of Service	Proposed Subcontractor Address	Value added	% of total Contract value
1				
2				
3				
4				

Summary of Tables C	
Total Value of Local Sourcing (USD / OMR)	Total Value of Overseas Sourcing (OMR / USD)
\$0	\$0

<b>ICV Terminologies/Definitions</b>
<b>Table B - Work Force</b>
<b>HD stands for Headcount:</b> "Headcount" means the number of full-time equivalent employees or in-house Contractors/agency staff within the Contractor or 3rd Party Sub-Contractor who will be involved in execution of the Contract.
<b>MH stands for Man-hours:</b> "Man-hours" means the number of hours of work undertaken in execution of the Contract (only the actual hours written, or to be written, to Contract execution are included).
The method of calculation and reporting is as follows;
MH= Contract Duration x number of headcount of that category
For example, contract awarded for a period of 4 years, with 2 professional resources working full time on the execution of the contract:
4 years x 12 months x 30 days x 8 hours x 2 professionals = 23,040 Manhours
<b>CP stands for Compensation:</b> "Compensation" means the sum of Man hours multiplied by an average all-inclusive average hourly rate. Average hourly rate calculated from Gross Salaries pro rated.
The currency shall be in USD.
For example, contract listed the 2 headcount Professional as Drilling Engineer and Chemical Engineer with a monthly salary of \$2,000 and \$1,800 respectively. The total monthly salary shall be inclusive of PASI and other permanent allowances such Housing and Transport allowance.
The formula to calculate the average hourly compensation rate will be as follows:
Drilling Engineer Monthly salary divided by man-hours working per month: 2000 USD / (22 days x 8 hours)= 11.4 USD as hourly rate
Chemical Engineer Monthly salary divided by man-hours working per month: 1,800 USD / (30 days x 8 hours)= 7.5 USD as hourly rate
Total hourly rate for both resources = 11.4+7.5= 18.9
Average hourly rate for both resources =18.9/2= 9.5
The compensation per hour as calculated above to be included shall 9.5 USD/hour
<b>JOB POSITIONS</b>
<b>6. "Senior Management"</b> means a member of the decision-making executive of a function within Contractor or sub-Contractor Company. -CEO and all managers titles who reported to CEO.HR Mangers , Admin manager , finance manager, project manager .etc..
<b>7. "Professional"</b> means an individual who has completed bachelor degree related tertiary education and achieved professional certifications status within a professional body. Includes chartered engineers and accountants, lawyers, architects, procurement professionals and Engineer.
<b>8. "Supervisory"</b> means a worker who manages a team of at least two subordinates (but who is not considered part of the Senior Management team, nor a Professional). Supervisors include construction foreman, equipment overseers, business administration team leaders etc.
<b>9. "Skilled"</b> means a worker with a high level of technical expertise accumulated over a number of years (but not a member of a recognised 'profession'). A skilled worker may have attended a Technical College or learned their skill via a formal apprenticeship or on-the-job over a number of years. Includes: electricians, scaffolders, welders, crafts, business admin, personnel assistants, computer programmers, equipment and machinery operators.
<b>10. "Semi-skilled"</b> means workers with a skill set acquired in a short space of time (a few weeks or months). Following short periods of training a casual labor may become semi-skilled, thus demonstrating how the Contract has contributed to human capacity in Oman. Semi-skilled positions include secretaries, drivers, meet and greet services, fencing, block laying, basic construction skills etc.



**Annexure – 09 Clarification Request**

Tender Reference: MITC.230409.OPS.M046, RATE AGREEMENT FOR SUPPLY OF CHOKE MANIFOLD & VALVES

**Submission date of Bid: 24/05/ 2023**

<b>1</b>	<p><u>Question Received XX/XX/XXXX</u></p> <p><b><u>Article X.X.X</u></b></p> <p>...</p> <p><u>Company Response Dated XX/XX/XXXX</u></p> <p>...</p>
<b>2</b>	<p><u>Question Received XX/XX/XXXX</u></p> <p><b><u>Article X.X.X</u></b></p> <p>...</p> <p><u>Company Response Dated XX/XX/XXXX</u></p> <p>...</p>
<b>3</b>	<p><u>Question Received XX/XX/XXXX</u></p> <p><b><u>Article X.X.X</u></b></p> <p>...</p> <p><u>Company Response Dated XX/XX/XXXX</u></p> <p>...</p>
<b>4</b>	<p><u>Question Received XX/XX/XXXX</u></p> <p><b><u>Article X.X.X</u></b></p> <p>...</p> <p><u>Company Response Dated XX/XX/XXXX</u></p> <p>...</p>

**Annexure – 10 Pricing Schedule**

SN	Description	Item Code	Qty	Unit price
1	<p>4-1/16" 5K CHOKE MANIFOLD MANUFACTURED AND MONOGRAMMED TO API SPECS 16C COMPLETE WITH ACCESSORIES AND DRILLING CHOKE CONTROL PANEL.</p> <p>8. MANIFOLD SHALL BE SUITABLE FOR SOUR SERVICES APPLICATION IN ACCORDANCE WITH NACE MR-0175 (LATEST EDITION).</p> <p>9. ALL RING GASKETS USED SHALL BE OF STAINLESS STEEL. (CARBON STEEL NOT ACCEPTABLE).</p> <p>10. ALL RING GROOVES SHALL HAVE SS INLAYS</p> <p>11. ALL GATE VALVES MANUFACTURED TO API SPECIFICATION 6A (LATEST EDITION) AND NACE MR0175 (LATEST EDITION), MATERIAL CLASS DD-NL OR EE-NL, TEMP CLASS P/U, PSL 3, PR-2</p> <p>12. ALL GATE VALVE UPSTREAM OF CHOKE SHALL BE PSL 3G AND PR2.</p> <p>13. THE MANIFOLD SHALL BE MONTED ON SPLITABLE SKID (PINNED) FOR TRANSPORTATION PURPOSES IF WIDTH GREATER THAN FLAT BED TRAILER.</p> <p>14. MANIFOLD SHALL HAVE ABILITY TO BE CONNECTED WITH STANDPIPE MANIFOLD TO A 2" 5000 PSI KILL LINE</p> <p>THE CHOKE MANIFOLED SHALL INCLUDED FOLLOWINGS AS MINIMUM;</p> <p>9. NON-RISING GATE VALVES, HAND WHEEL OPERATED, 3 1/8" X 5000 WP FLANGED ENDS, WITH STAINLESS STEEL LINED RING GROOVES COMPLETE WITH HAND WHEEL. QTY. - <b>13 NO.</b></p> <p>10. GATE VALVES, HAND WHEEL OPERATED, 2 1/16" X 5000 WP FLANGED ENDS, WITH STAINLESS STEEL LINED RING GROOVES COMPLETE WITH HAND WHEEL QTY. - <b>1 NO.</b></p> <p>11. MANUAL ADJUSTABLE DRILLING CHOKE (2-1/16" 5K minimum) – QTY. - <b>2 NO.</b></p> <p>12. HYDRAULICALLY/REMOVEDLY OPERATED DRILLING CHOKE (3-1/8" 5K minimum) QTY. - <b>1 NO.</b></p> <p>13. 5 WAY STUDDED CROSSES, SPACER SPOOLS, TEES, YEE, 4 WAY STUDDED CROSSES, FLANGES AS REQUIRED TO COMPLETE THE CHOKE MANIFOLD AS PER API 16C LATEST EDITION.</p> <p>14. CHOKE MANIFOLD SHALL HAVE PROVISION FOR CONNECTING BYPASS LINE TO FACILITATE BYPASSING MGS AND ROUTING TO A SAFE AREA.</p> <p>15. PROVISION SHALL BE MADE FOR INSTALING GLYCOL/METHENOL INJECTION SYSTEM UPSTREAM OF CHOKE TO PREVENT HYDRATE FORMATION DURING HANDLING KICK.</p> <p>16. THERE SHALL BE TWO (2) VALVES UPSTREAM OF EVERY CHOKE, ONE (1) VALVE DOWNSTREAM OF THE CHOKE, TWO (2) VALVES IN BLEED/BYPASS LINE AND TWO (2) VALVE IN INTER CONNECTION LINE.</p> <p><b>DOCUMENTATION:</b></p> <p>9. COC</p> <p>10. MANUFACTRUNG DATA BOOK IN ACCORDANCE WITH API 6A REQUIREMENT</p> <p>11. PRESSURE TEST CERTIFICATE &amp; CHARTS</p> <p>12. MATERIAL TRACEABILITY SHEET</p> <p>13. WELD REPORT/NDE REPORT/TEST REPORT ETC.</p> <p>14. BILL OF MATERAIL &amp; ASSEMBLY DRAWING</p> <p>15. OPERATION AND MAINTENANCE MANUAL</p> <p>16. PART LIST BOOK</p>		3	

<p>2</p>	<p>DRILLING CONTROL CONSOLE FOR 5,000 PSI / 34500 KPA CHOKE, CONSISTING OF THE FOLLOWING:</p> <ul style="list-style-type: none"> <li>• 0-6,000 PRESSURE GAUGES (ANALOG/DIGITAL) (LAELED CHOKE/KILL) COMPLETE WITH ALL REQUIRED ACCESSORIED INCLUDING BUT NOT LIMITED TO PRESSURE TRANSDUCER, HOSE, CABLE, FITTING, T-PIECE ETC. (DIGITAL PRESSURE GAUGES MUST MEETS HAZARDOUS AREA ZONE-2 REQUIREMENT.)</li> <li>• TOTAL 5 IDENTICAL PRESSURE GAUGE (RELETAVILY LARGE DIAL) COMPLETE WITH 3 TRANSDUCER AND HOSES SHALL BE SUPPLIED. ANNULAR PRESSURE GAUGE AND PUMP PRESSURE GAUGE POSITIONED ON LOCAL PANEL ON MANIFOLD SKID IN A WAY THAT IT IS VISBLE VISIBLE FROM OPERATING POSITION OF MANUALLY ADJUSTABLE CHOKE. GAUGES READ OUT FROM SAME PRESSURE TRANSDUCER WILL ALSO BE REQUIRED IN REMOTE CONTROL PANEL.</li> </ul> <p><b>NOTE#1:</b> GAUGE SHALL BE CLEARLY READABLE, <b>SPECIFY THE PRESSURE INCREMENT.</b></p> <p><b>NOTE#2:</b> ONE (1) PRESSURE GAUGE AND ONE (1) TRANSDUCER WILL SERVE AS SPARE.</p> <ul style="list-style-type: none"> <li>• 3 PUMP PROXIMITY TYPE STROKE COUNTER WITH 6 PANEL DISPLAY COMPLETE WITH 3 PUMP CABLE ASSEMBLIES</li> <li>• PNEUMATIC OPERATED HYDRAULIC PUMPS WITH EMERGENCY OPERATING HANDLES</li> <li>• HYDRAULIC TANK ASSEMBLY (MIN 8 GALLON)</li> <li>• CHOKE POSITION INDICATOR (ANALOG/DIGITAL) WITH COMPLETE ACCESSORIES</li> <li>• CHOKE OPERATING HOSES</li> <li>• 160 PSI WP AIR PRESSURE GAUGE</li> <li>• 3,000 PSI WP HYDRAULIC PRESSURE GAUGE</li> <li>• NITROGEN BACKUP ACCUMULATOR ASSEMBLY TO ALLOW</li> <li>• SAFETY VALVE FOR ACCUMULATOR</li> <li>• INLINE CHECK VALVE FOR ACCUMULATOR</li> <li>• ALL OTHER ACCESSORIES TO COMPLETE THE CONSOLE AND INTEGRATE WITH MANIFOLD.</li> </ul> <p><b>DOCUMENTATION:</b></p> <ol style="list-style-type: none"> <li>8. COC</li> <li>9. MANUFACTURING DATA BOOK</li> <li>10. BILL OF MATERILA WITH ASSEMBLY DRAWING</li> <li>11. OPERATION AND MAINTENANCE MANUAL</li> <li>12. PART LIST BOOK</li> <li>13. GAUGE CALLIBRATION REPORT</li> <li>14. EX CERTIFICTAION FOR EXPLOSION PROOF EQUIPMENT</li> </ol>		<p>3</p>	

<p>4</p>	<p>GATE VALVES, HAND WHEEL OPERATED, 3 1/8" X 5000 PSI RWP FLANGED ENDS, WITH STAINLESS STEEL LINED RING GROOVES COMPLETE WITH HAND WHEEL MANUFACTURED AND MONOGRAMED IN ACCORDANCE WITH API 6A(LATEST EDITION) AND NACE MR0175 (LATEST EDITION), MATERIAL CLASS DD-NL OR EE-NL, TEMP CLASS: P+U, PSL 3G, PR2 COMPLETE WITH HAND WHEEL</p> <p><b>DOCUMENTATION:</b></p> <ul style="list-style-type: none"> <li>9. COC</li> <li>10. MANUFACTURING DATA BOOK IN ACCORDANCE WITH API 6A REQUIREMENT</li> <li>11. PRESSURE TEST CERTIFICATE &amp; CHARTS</li> <li>12. MATERIAL TRACEABILITY SHEET</li> <li>13. WELD REPORT/NDE REPORT/TEST REPORT ETC.</li> <li>14. BILL OF MATERAIL &amp; ASSEMBLY DRAWING</li> <li>15. OPERATION AND MAINTENANCE MANUAL</li> <li>16. PART LIST BOOK</li> </ul>	<p>1004093</p>	<p>6</p>	
<p>5</p>	<p>HYDRAULLICALLY OPERATED GATE VALVES, 3 1/8" X 5000 PSI RWP FLANGED ENDS, WITH STAINLESS STEEL LINED RING GROOVES COMPLETE WITH HAND WHEEL MANUFACTURED AND MONOGRAMED IN ACCORDANCE WITH API 6A(LATEST EDITION) AND NACE MR0175 (LATEST EDITION), MATERIAL CLASS DD-NL OR EE-NL, TEMP CLASS: P+U, PSL 3G, PR2 COMPLETE WITH HAND WHEEL</p> <p><b>DOCUMENTATION:</b></p> <ul style="list-style-type: none"> <li>10. COC</li> <li>11. MANUFACTURING DATA BOOK IN ACCORDANCE WITH API 6A REQUIREMENT</li> <li>12. HYDRAULIC ACTUATOR PRESSURE TESTING REPORT &amp; CHART</li> <li>13. PRESSURE TEST CERTIFICATE &amp; CHARTS</li> <li>14. MATERIAL TRACEABILITY SHEET</li> <li>15. WELD REPORT/NDE REPORT/TEST REPORT ETC.</li> <li>16. BILL OF MATERAIL &amp; ASSEMBLY DRAWING</li> <li>17. OPERATION AND MAINTENANCE MANUAL</li> <li>18. PART LIST BOOK</li> </ul>	<p>1004094</p>	<p>6</p>	
<p>6</p>	<p>CHECK VALVE, 3-1/8", 5000 PSI RWP FLANGED ENDS WITH STAINLESS STEEL LINED RING GROOVE, MANUFACTURED AND MONOGRAMMED IN ACCORDANCE WITH API 6A (LATEST EDITION) AND NACE MR0175 (LATEST EDITION), MATERIAL CLASS DD-NL OR EE-NL, TEMP P+U API 6A 20TH ED, NACE MR0175, MAT: DD-NL, TEMP CLASS: P+U, PSL 3G, PR2</p> <p><b>DOCUMENTATION:</b></p> <ul style="list-style-type: none"> <li>9. COC</li> <li>10. MANUFACTURING DATA BOOK IN ACCORDNACE WITH API 6A REQUIREMENT</li> <li>11. PRESSURE TEST CERTIFICATE &amp; CHARTS</li> <li>12. MATERIAL TRACEABILITY SHEET</li> <li>13. WELD REPORT/NDE REPORT/TEST REPORT ETC.</li> <li>14. BILL OF MATERAIL &amp; ASSEMBLY DRAWING</li> <li>15. OPERATION AND MAINTENANCE MANUAL</li> <li>16. PART LIST BOOK</li> </ul>	<p>1004095</p>	<p>3</p>	
<p>7</p>	<p>GATE VALVES (NON-RISING STEM TYPE), HAND WHEEL OPERATED, 4-1/16" x 5000 PSI RWP FLANGED ENDS, WITH STAINLESS STEEL LINED RING GROOVES COMPLETE WITH HAND WHEEL MANUFACTURED AND MONOGRAMED IN ACCORDANCE WITH API 6A(LATEST EDITION) AND NACE MR0175 (LATEST EDITION), MATERIAL CLASS DD-NL OR EE-NL, TEMP CLASS: P+U, PSL3, PR2 COMPLETE WITH HAND WHEEL</p> <p><b>DOCUMENTATION:</b></p> <ul style="list-style-type: none"> <li>9. COC</li> </ul>		<p>6</p>	

	<p>10. MANUFACTURING DATA BOOK IN ACCORDANCE WITH API 6A REQUIREMENT</p> <p>11. PRESSURE TEST CERTIFICATE &amp; CHARTS</p> <p>12. MATERIAL TRACEABILITY SHEET</p> <p>13. WELD REPORT/NDE REPORT/TEST REPORT ETC.</p> <p>14. BILL OF MATERAIL &amp; ASSEMBLY DRAWING</p> <p>15. OPERATION AND MAINTENANCE MANUAL</p> <p>16. PART LIST BOOK</p>			
8	<p>HYDRAULICALLY OPERATED GATE VALVES (FAIL CLOSE VALVE – SPRING ASSIST CLOSE), 4-1/16" X 5000 PSI RWP FLANGED ENDS, WITH STAINLESS STEEL LINED RING GROOVES COMPLETE WITH HAND WHEEL MANUFACTURED AND MONOGRAMED IN ACCORDANCE WITH API 6A(LATEST EDITION) AND NACE MR0175 (LATEST EDITION), MATERIAL CLASS DD-NL OR EE-NL, TEMP CLASS: P+U, PSL3, PR2 COMPLETE WITH HAND WHEEL</p> <p><b>DOCUMENTATION:</b></p> <p>10. COC</p> <p>11. MANUFACTURING DATA BOOK IN ACCORDANCE WITH API 6A REQUIREMENT</p> <p>12. HYDRAULIC ACTUATOR PRESSURE TESTING REPORT &amp; CHART</p> <p>13. PRESSURE TEST CERTIFICATE &amp; CHARTS</p> <p>14. MATERIAL TRACEABILITY SHEET</p> <p>15. WELD REPORT/NDE REPORT/TEST REPORT ETC.</p> <p>16. BILL OF MATERAIL &amp; ASSEMBLY DRAWING</p> <p>17. OPERATION AND MAINTENANCE MANUAL</p> <p>18. PART LIST BOOK</p>		6	
9	<p>CHECK VALVE, 4-1/16", 5000 PSI RWP FLANGED ENDS WITH STAINLESS STEEL LINED RING GROOVE, MANUFACTURED AND MONOGRAMMED IN ACCORDANCE WITH API 6A (LATEST EDITION) AND NACE MR0175 (LATEST EDITION), MATERIAL CLASS DD-NL OR EE-NL, TEMP P+U API 6A 20TH ED, NACE MR0175, MAT: DD-NL, TEMP CLASS: P+U, PSL3, PR2</p> <p><b>DOCUMENTATION:</b></p> <p>9. COC</p> <p>10. MANUFACTURING DATA BOOK IN ACCORDNACE WITH API 6A REQUIREMENT</p> <p>11. PRESSURE TEST CERTIFICATE &amp; CHARTS</p> <p>12. MATERIAL TRACEABILITY SHEET</p> <p>13. WELD REPORT/NDE REPORT/TEST REPORT ETC.</p> <p>14. BILL OF MATERAIL &amp; ASSEMBLY DRAWING</p> <p>15. OPERATION AND MAINTENANCE MANUAL</p> <p>16. PART LIST BOOK</p>		3	
10	<p>GATE VALVES (NON-RISING STEM TYPE), HAND WHEEL OPERATED, 4-1/16" x 10000 PSI RWP FLANGED ENDS, WITH STAINLESS STEEL LINED RING GROOVES COMPLETE WITH HAND WHEEL MANUFACTURED AND MONOGRAMED IN ACCORDANCE WITH API 6A(LATEST EDITION) AND NACE MR0175 (LATEST EDITION), MATERIAL CLASS DD-NL OR EE-NL, TEMP CLASS: P+U, PSL 3G, PR2 COMPLETE WITH HAND WHEEL</p> <p><b>DOCUMENTATION:</b></p> <p>9. COC</p> <p>10. MANUFACTURING DATA BOOK IN ACCORDANCE WITH API 6A REQUIREMENT</p> <p>11. PRESSURE TEST CERTIFICATE &amp; CHARTS</p> <p>12. MATERIAL TRACEABILITY SHEET</p> <p>13. WELD REPORT/NDE REPORT/TEST REPORT ETC.</p> <p>14. BILL OF MATERAIL &amp; ASSEMBLY DRAWING</p> <p>15. OPERATION AND MAINTENANCE MANUAL</p> <p>16. PART LIST BOOK</p>	1001958	12	

<p>11</p>	<p>HYDRAULICALLY OPERATED GATE VALVES (FAIL CLOSE VALVE – SPRING ASSIST CLOSE), 4-1/16" X 10000 PSI RWP FLANGED ENDS, WITH STAINLESS STEEL LINED RING GROOVES COMPLETE WITH HAND WHEEL MANUFACTURED AND MONOGRAMMED IN ACCORDANCE WITH API 6A(LATEST EDITION) AND NACE MR0175 (LATEST EDITION), MATERIAL CLASS DD-NL OR EE-NL, TEMP CLASS: P+U, PSL 3G, PR2 COMPLETE WITH HAND WHEEL</p> <p><b>DOCUMENTATION:</b></p> <ul style="list-style-type: none"> <li>10. COC</li> <li>11. MANUFACTURING DATA BOOK IN ACCORDANCE WITH API 6A REQUIREMENT</li> <li>12. HYDRAULIC ACTUATOR PRESSURE TESTING REPORT &amp; CHART</li> <li>13. PRESSURE TEST CERTIFICATE &amp; CHARTS</li> <li>14. MATERIAL TRACEABILITY SHEET</li> <li>15. WELD REPORT/NDE REPORT/TEST REPORT ETC.</li> <li>16. BILL OF MATERAIL &amp; ASSEMBLY DRAWING</li> <li>17. OPERATION AND MAINTENANCE MANUAL</li> <li>18. PART LIST BOOK</li> </ul>	<p>1001959</p>	<p>12</p>	
<p>12</p>	<p>CHECK VALVE, 4-1/16", 10000 PSI RWP FLANGED ENDS WITH STAINLESS STEEL LINED RING GROOVE, MANUFACTURED AND MONOGRAMMED IN ACCORDANCE WITH API 6A (LATEST EDITION) AND NACE MR0175 (LATEST EDITION), MATERIAL CLASS DD-NL OR EE-NL, TEMP P+U API 6A 20TH ED, NACE MR0175, MAT: DD-NL, TEMP CLASS: P+U, PSL 3G, PR2</p> <p><b>DOCUMENTATION:</b></p> <ul style="list-style-type: none"> <li>9. COC</li> <li>10. MANUFACTURING DATA BOOK IN ACCORDNACE WITH API 6A REQUIREMENT</li> <li>11. PRESSURE TEST CERTIFICATE &amp; CHARTS</li> <li>12. MATERIAL TRACEABILITY SHEET</li> <li>13. WELD REPORT/NDE REPORT/TEST REPORT ETC.</li> <li>14. BILL OF MATERAIL &amp; ASSEMBLY DRAWING</li> <li>15. OPERATION AND MAINTENANCE MANUAL</li> <li>16. PART LIST BOOK</li> </ul>	<p>1001960</p>	<p>6</p>	
<p>13</p>	<p>GATE VALVES, HAND WHEEL OPERATED, 3 1/8" X 3000 PSI RWP FLANGED ENDS, WITH STAINLESS STEEL LINED RING GROOVES COMPLETE WITH HAND WHEEL MANUFACTURED AND MONOGRAMMED IN ACCORDANCE WITH API 6A(LATEST EDITION) AND NACE MR0175 (LATEST EDITION), MATERIAL CLASS DD-NL OR EE-NL, TEMP CLASS: P+U, PSL 3G, PR2 COMPLETE WITH HAND WHEEL</p> <p><b>DOCUMENTATION:</b></p> <ul style="list-style-type: none"> <li>9. COC</li> <li>10. MANUFACTURING DATA BOOK IN ACCORDANCE WITH API 6A REQUIREMENT</li> <li>11. PRESSURE TEST CERTIFICATE &amp; CHARTS</li> <li>12. MATERIAL TRACEABILITY SHEET</li> <li>13. WELD REPORT/NDE REPORT/TEST REPORT ETC.</li> <li>14. BILL OF MATERAIL &amp; ASSEMBLY DRAWING</li> <li>15. OPERATION AND MAINTENANCE MANUAL</li> <li>16. PART LIST BOOK</li> </ul>	<p>1004421</p>	<p>2</p>	

<b>Contract Period</b>	<b>Two years with option to extend for additional + 1 year</b>
<b>Delivery Period</b>	
<b>Delivery Term</b>	
<b>Payment Term</b>	
<b>Bid Validity</b>	<b>90 Days</b>

## **Annexure - 11 Tender Strategy for Evaluation of bid**

Abraj Management had followed the tendering strategy as per the tender procedure which forms part of the Abraj Tender Policies and Procurement (ATPP).

### **The process followed was the following:-**

1. Tender for purchase of equipment and materials or availing of Services and includes Purchase Order, Service Order or other arrangement will sent seeking Technical and commercial bids in a two separate sealed envelopes which are submitted in a sealed envelope or electronic mode.
2. The technical bids will evaluated as per the evaluation process defined below. We have tender opening protocol duly signed by the authorized persons as per ATPP.
3. The Commercial bids will opened for the technical qualified bidders only.
4. The Commercial bids will be reviewed and evaluated. The best offer will be awarded the Contract after evaluation and approval from Abraj Management Team.
5. Letter of Intent (LOI) has been issued to the successful bidder followed by execution of Contract wherever required.

### **Process for Evaluation of bid**

The Technical Evaluation Process for the different types of bids will be carried out in the following steps:

1. Opening of the Technical Bids.
2. Analysis of the Technical Bids.
3. Gather all missing information from the technical bids.
4. Sending clarifications to those bidders who have not been disqualified initially.
5. Receive clarifications.
6. Set weightage for scoring based on importance of each evaluation criteria.
7. Evaluate data and score.
8. Finalize Technical Evaluation.
9. Minimum Technical Score to be obtained is 70 % to be Eligible for getting qualified for Commercial Bid Evaluation. For bidders who are technically disqualified, their commercial bid will not be opened.
10. Whoever is technically qualified, all are treated at par for commercial evaluation and L-1 bidder would be awarded the contract.

11. The Company reserves the right to award the contract in the best interest of the company to any bidder other than L-1 without assigning any reason whatsoever.

**Technical Methodology**

At first, Bidders shall be evaluated on technical proposals in accordance with Evaluation Criteria as described in the Tender Document.

Each of technical proposals shall be evaluated on the basis of the Bidder’s degree of compliance, with requirements as specified in the Tender Document including the Specifications. Bidder who achieves the Technical evaluation threshold will be evaluated commercially.

The evaluation shall consist of

- Technical Proposal Evaluation
- Financial Proposal Evaluation

<b>Compliance Requirement</b>	<b>Score %</b>
Compliance with SOW	
Only Cameron / Anson (NOV) / Worldwide Oilfield Machine, Company make will be accepted	
Choke Manifold shall be API 16C monogrammed and all valves shall be monogrammed with API 6A.	

<b>Technical Criteria Model</b>	<b>Score %</b>
Lead Time for Delivery (24 week exW or 28 week CIF)	<b>100</b>
Lead Time for Delivery (28 week exW or 32 week CIF)	<b>70</b>
Lead Time for Delivery (More than 28 week exW or 32 week CIF)	<b>0</b>



**Annexure – 12 Standard Terms and Conditions**

**Annexure - 13 AML ABC Annexure**

**Annexure - 14 In Country Value**